

**DESCRIPTION AND  
MATERIAL**

- Molded neoprene or polyurethane (for G-size) inline connectors and glass reinforced epoxy bulkhead connectors.
- One to twelve contacts.
- Up to 600 VDC (For higher voltages, contact factory).
- Up to 10,000 PSI in mated condition.
- Bulkhead connector design open face pressure rated to 5000 psi.
- Contacts gold plated per MIL-G-45204.
- Field installable connectors with locking sleeve available.
- Field installable connectors have a removable tapered boot for easy access to solder pots during field installation.

**CABLE**

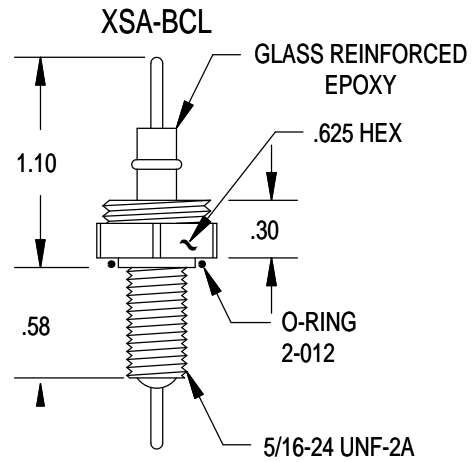
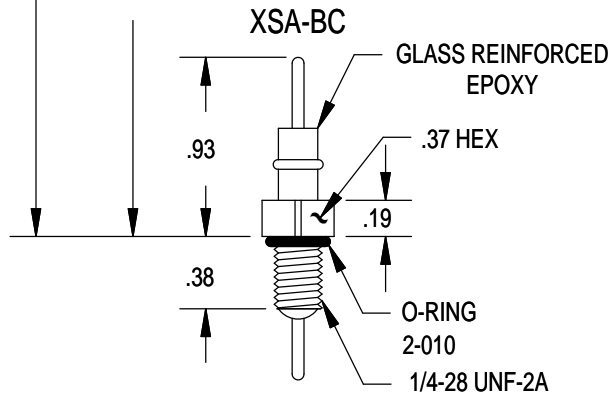
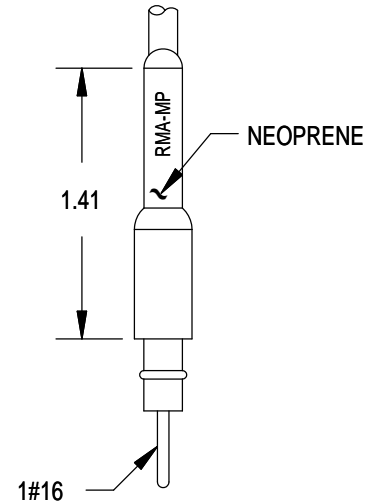
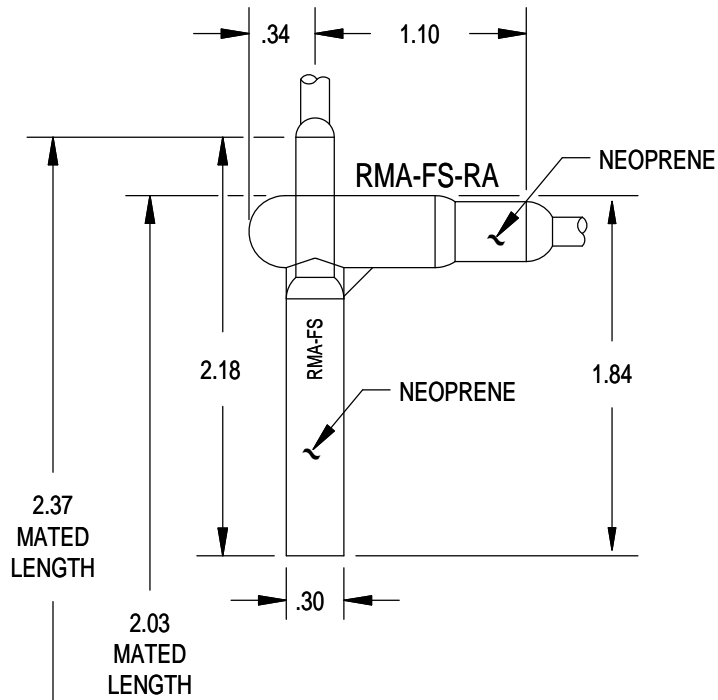
- Connector's amperage and voltage may be limited by amperage and voltage rating of cable to which connector is molded.
- Inline connectors in this series, except field installables, are provided on a standard 24" length of 18 AWG SO cable unless otherwise specified. (Note: RMA provided on 24" length of 20 AWG)

**USES**

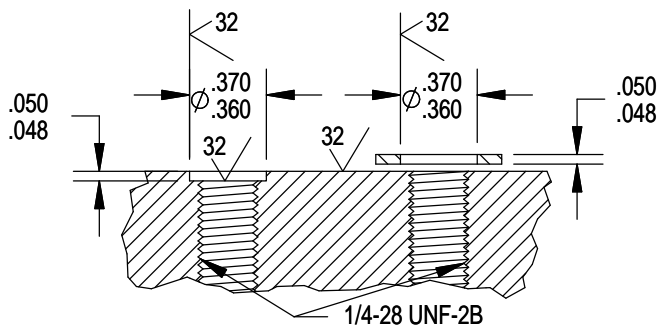
- Light to medium duty applications.
- Hazardous environment.
- Power transmission.
- Signal telemetry.
- FIB - Field installable applications.

**GUIDELINES**

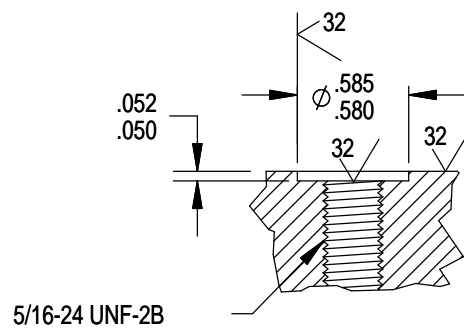
- All mounting surfaces require a 32 finish.
- Accomplish mating with minimum twisting and flexing.
- Align indexes.
- Care must be taken not to damage or bend pins in unplugged conditions.
- FS can trap water (suggest flush with alcohol and blow dry).
- Lubricate MP mating side with 3M Silicone Lubricant or Dow Corning #111 Valve Lubricant or equivalent.
- Lubricate o-rings with Dow Corning #111 Valve Lubricant or equivalent.
- Avoid o-ring cuts and nicks.
- Replace o-rings when re-using connectors.
- Avoid contact with noxious solvents.
- Elastomers can be seriously degraded if exposed to direct sunlight or high ozone levels for extended periods of time.



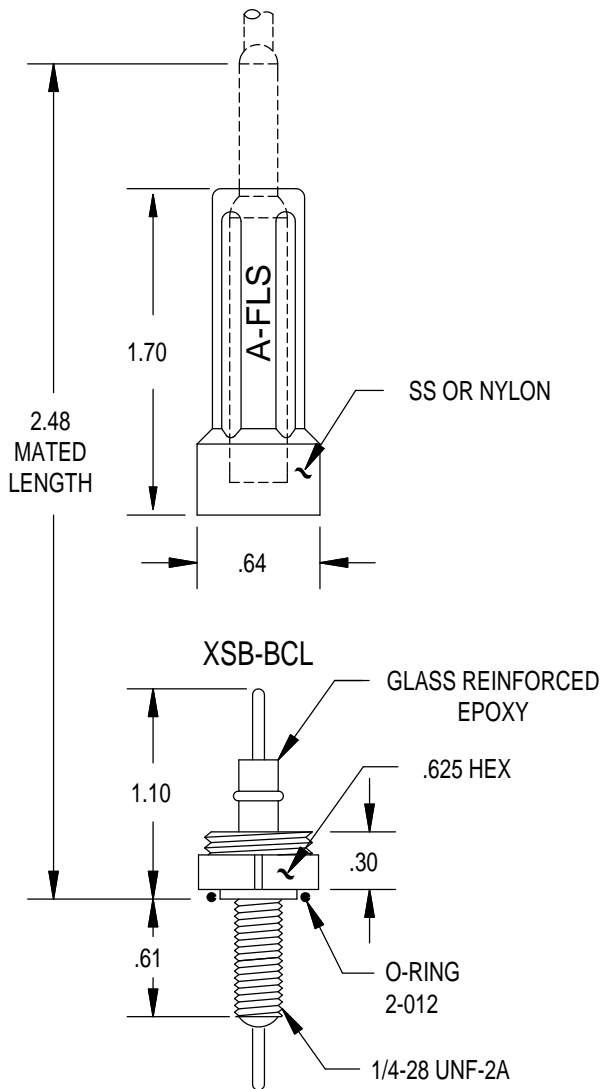
**MOUNTING INSTRUCTIONS XSA-BC**



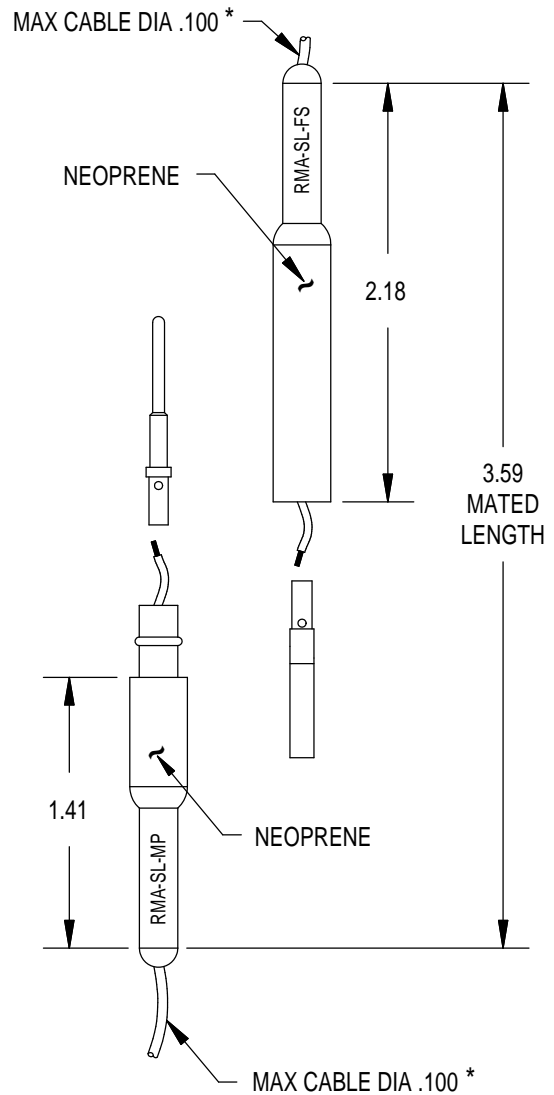
**MOUNTING INSTRUCTIONS XSA-BCL**



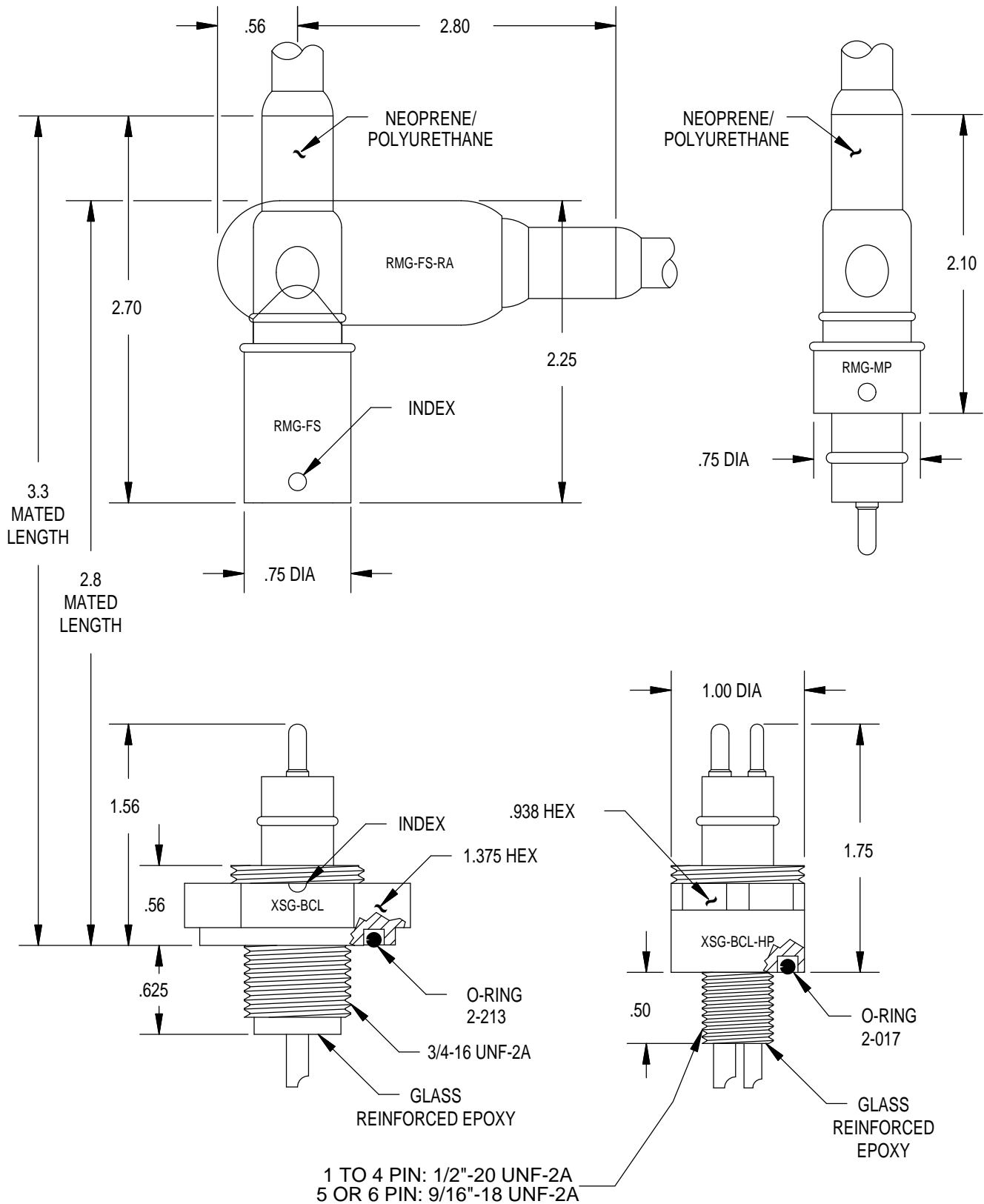
**RMA-FS W/LOCKING SLEEVE**

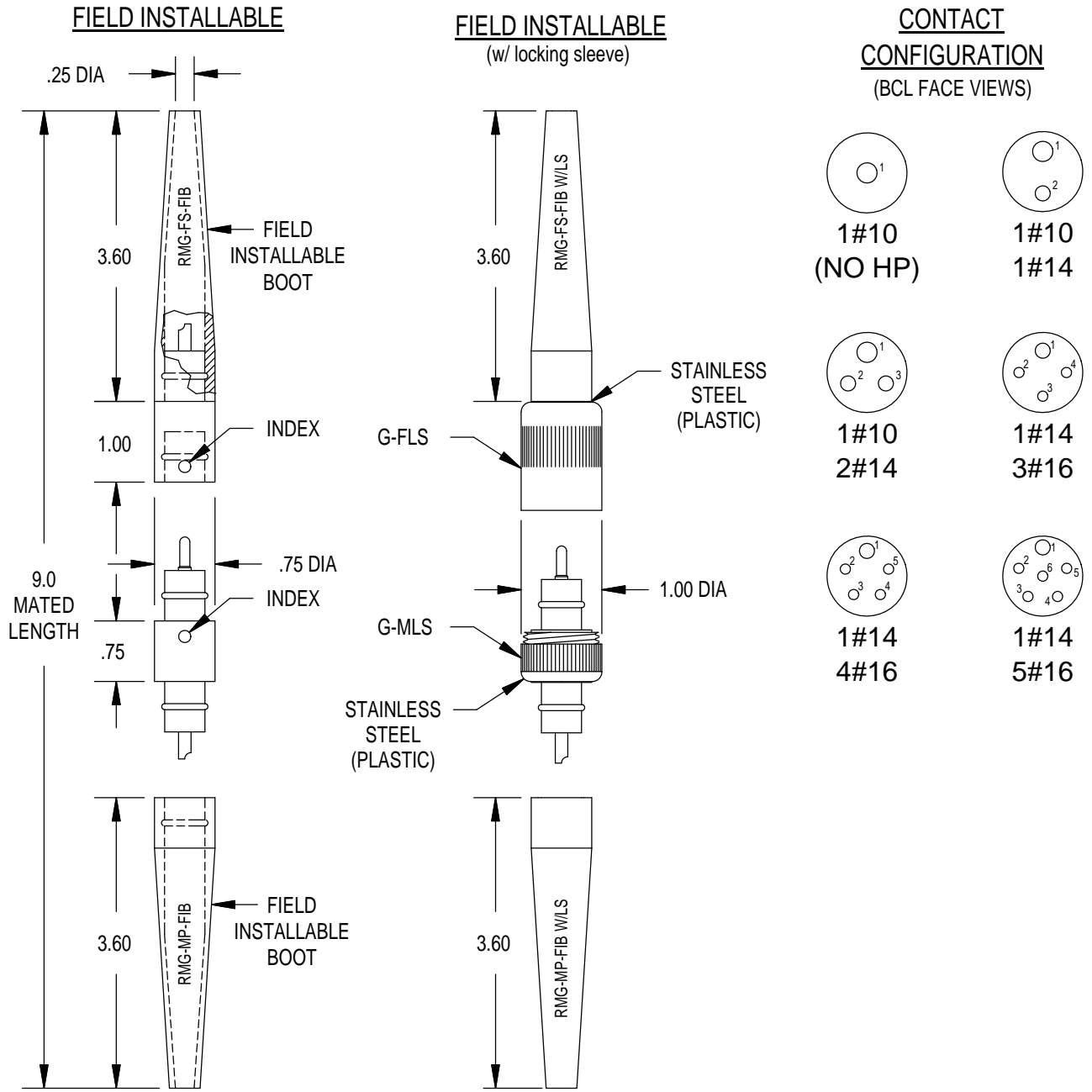


**SLIP ON SERIES**

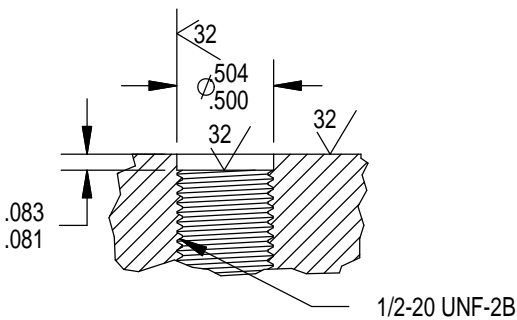
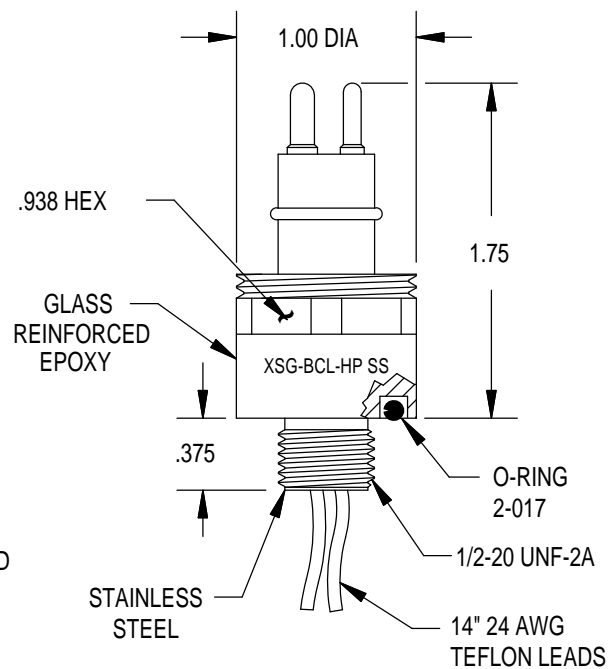
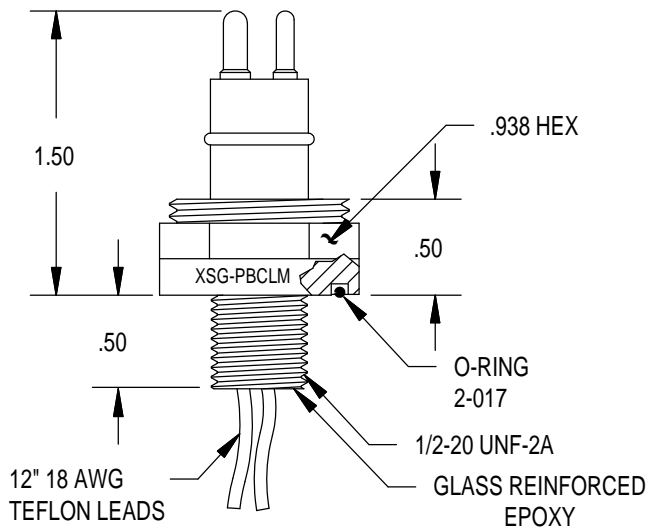
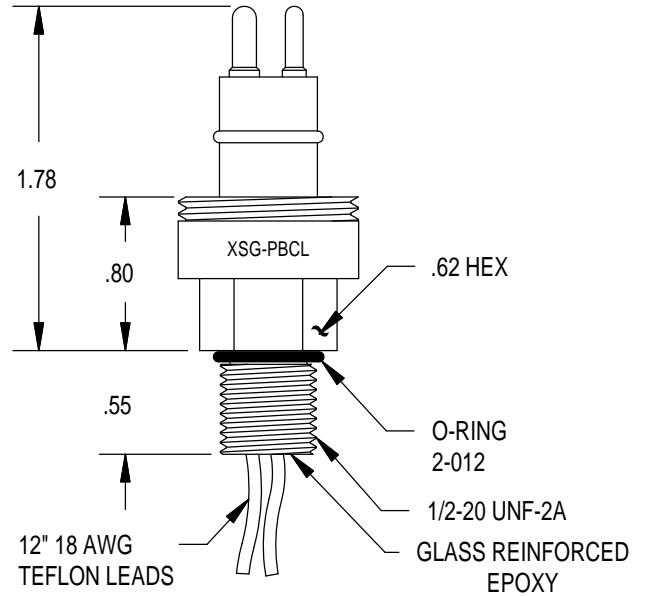
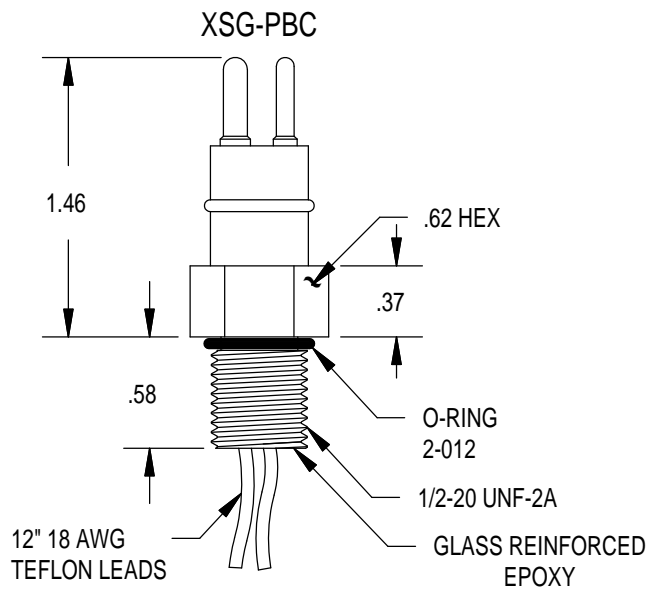


MOUNTING TORQUE FOR XSA-BC, XSB-BCL	not to exceed 6 in lbs	MOUNTING TORQUE FOR XSA-BCL	not to exceed 8 in lbs
		MATED PRESSURE RATING (psi)	10,000
DUMMY PLUG FOR XSA-BC/BCL, XSB-BCL, RMA-MP		DUMMY PLUG FOR RMA-FS	
RMA-FSD LP		LOW PRESSURE < 4,000 psi	RMA-MPD-LP
		HIGH PRESSURE > 4,000 psi	RMA-MPD-HP
NOTE: Locking sleeves available in plastic or stainless steel, see Technical Bulletin 20 40. * Must specify conductor diameter when ordering slip on series.			

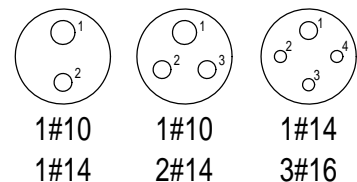




MOUNTING TORQUE FOR XSG-BCL	not to exceed 70 in lbs	MATED PRESSURE RATING (psi) FOR XSG-BCL	10,000
MOUNTING TORQUE FOR XSG-BCL-HP	not to exceed 18 in lbs	MATED PRESSURE RATING (psi) FOR XSG-BCL-HP	10,000
DUMMY PLUG FOR XSG-BCL, RMG-MP		DUMMY PLUG FOR RMG-FS	
RMG-*-FSD		LOW PRESSURE < 4,000 psi	RMG-MPD-LP
		HIGH PRESSURE > 4,000 psi	RMG-*-MPD-HP
NOTE: Locking sleeves available in plastic or stainless steel, see Technical Bulletin 20 40. * Please specify number of contacts.			



**CONTACT CONFIGURATION**  
(BCL FACE VIEWS)

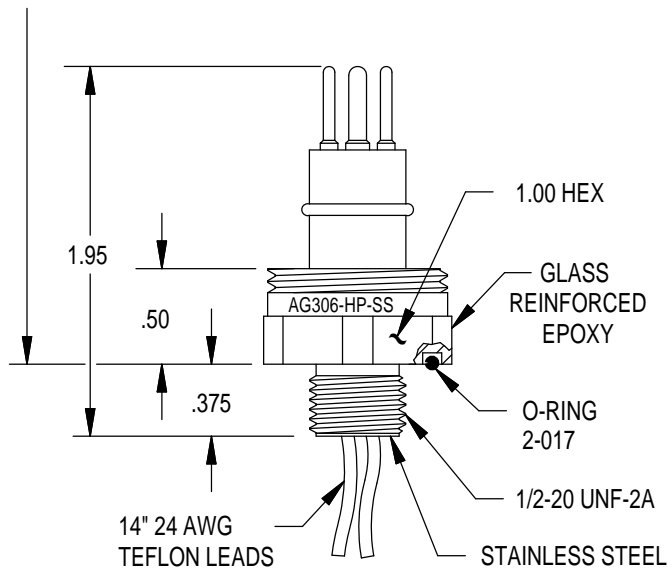
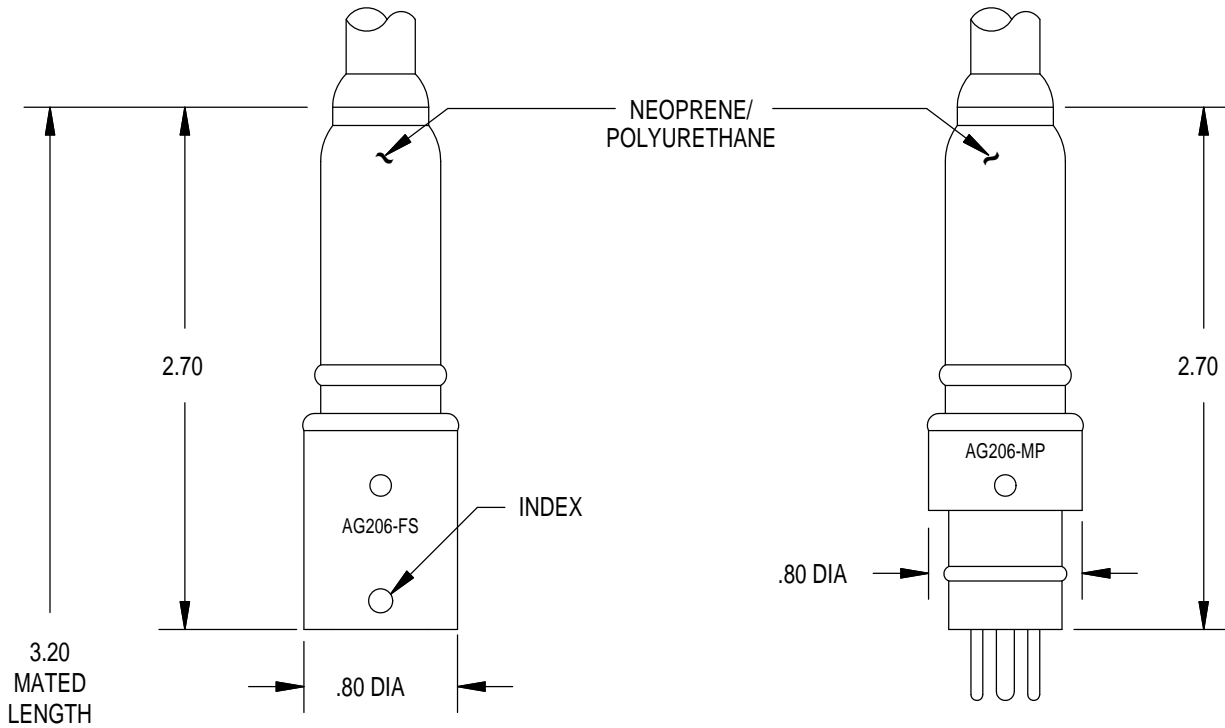


**MOUNTING INSTRUCTIONS**

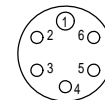
MOUNTING TORQUE FOR XSG-PBC/PBCL/PBCLM	not to exceed 15 in lbs	MATED PRESSURE RATING (psi) FOR XSG-PBC/PBCL/PBCLM	10,000
NOTE: See Technical Bulletin 20 21 for dummy specifications.			

# AG206/AG306

GLASS REINFORCED EPOXY /  
RUBBER / POLYURETHANE MOLDED SERIES

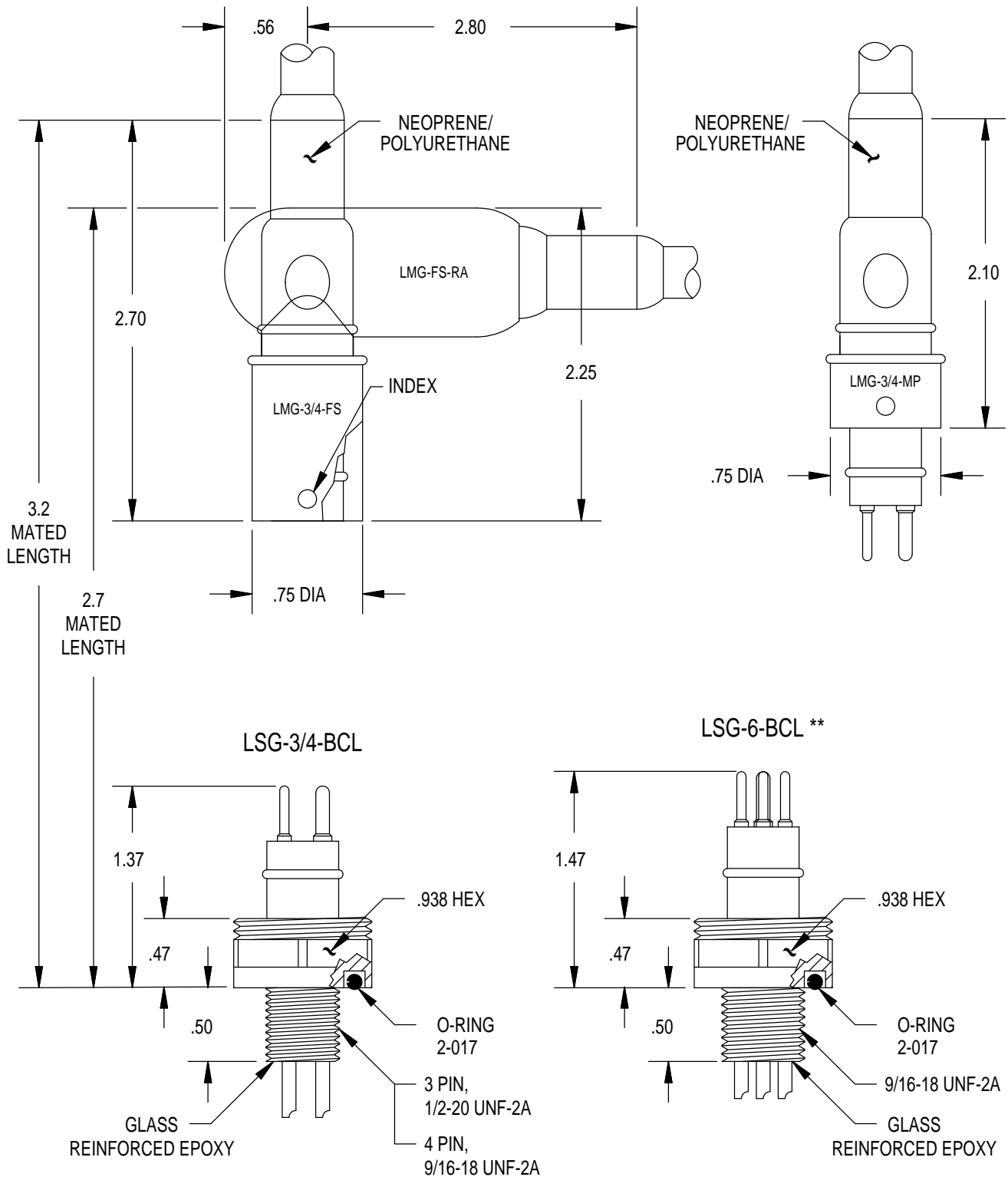


**CONTACT  
CONFIGURATION  
AG-206/306 ONLY  
(FACE VIEW-BCL)**

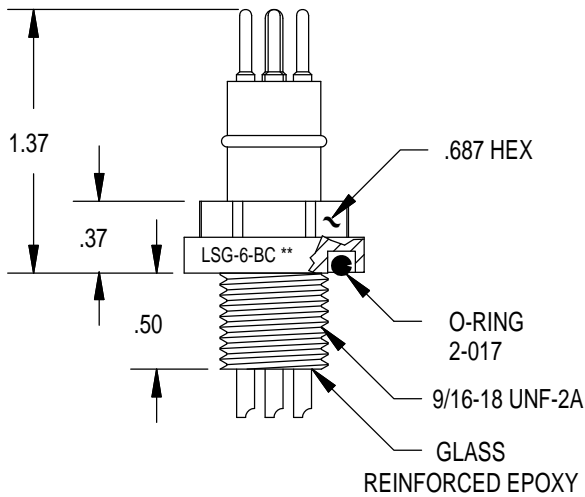
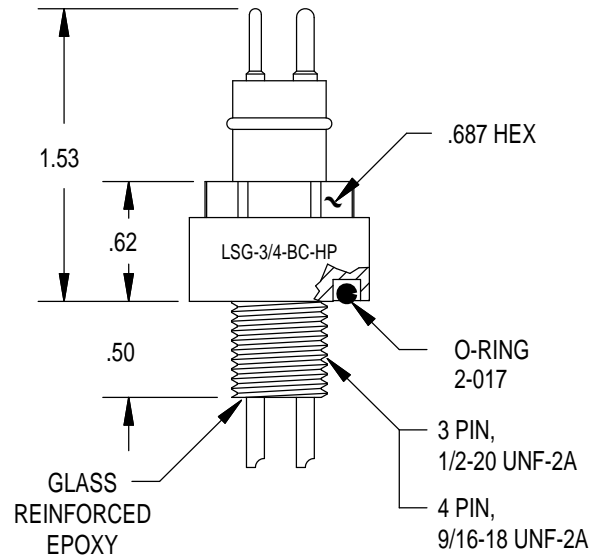
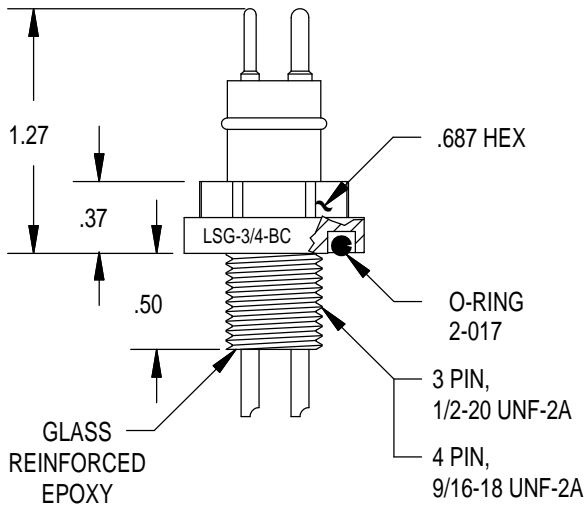


**1#14  
5#16**

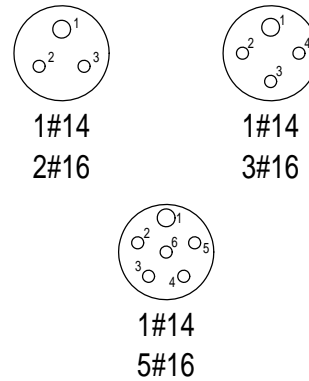
MOUNTING TORQUE FOR AG-306	not to exceed 15 in lbs	MATED PRESSURE RATING (PSI)	10,000
DUMMY PLUG FOR AG-306		DUMMY PLUG FOR AG-206-FS	
AG-206-FSD		LOW PRESSURE < 4,000 psi	AG-206-MPD-LP
		HIGH PRESSURE > 4,000 psi	AG-206-MPD-HP
NOTE: Locking sleeves available in plastic or stainless steel, see Tech. Bulletin 20 40.			



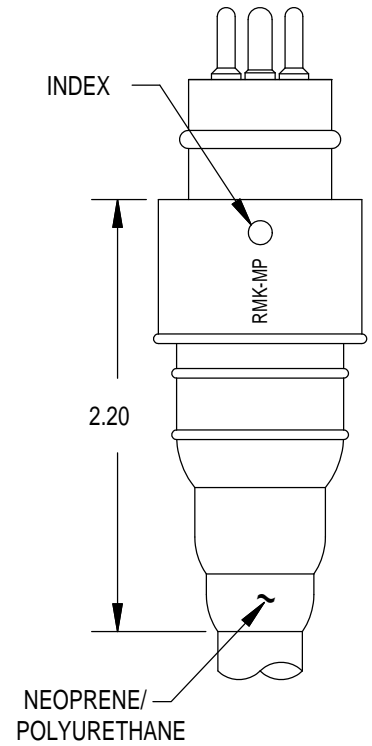
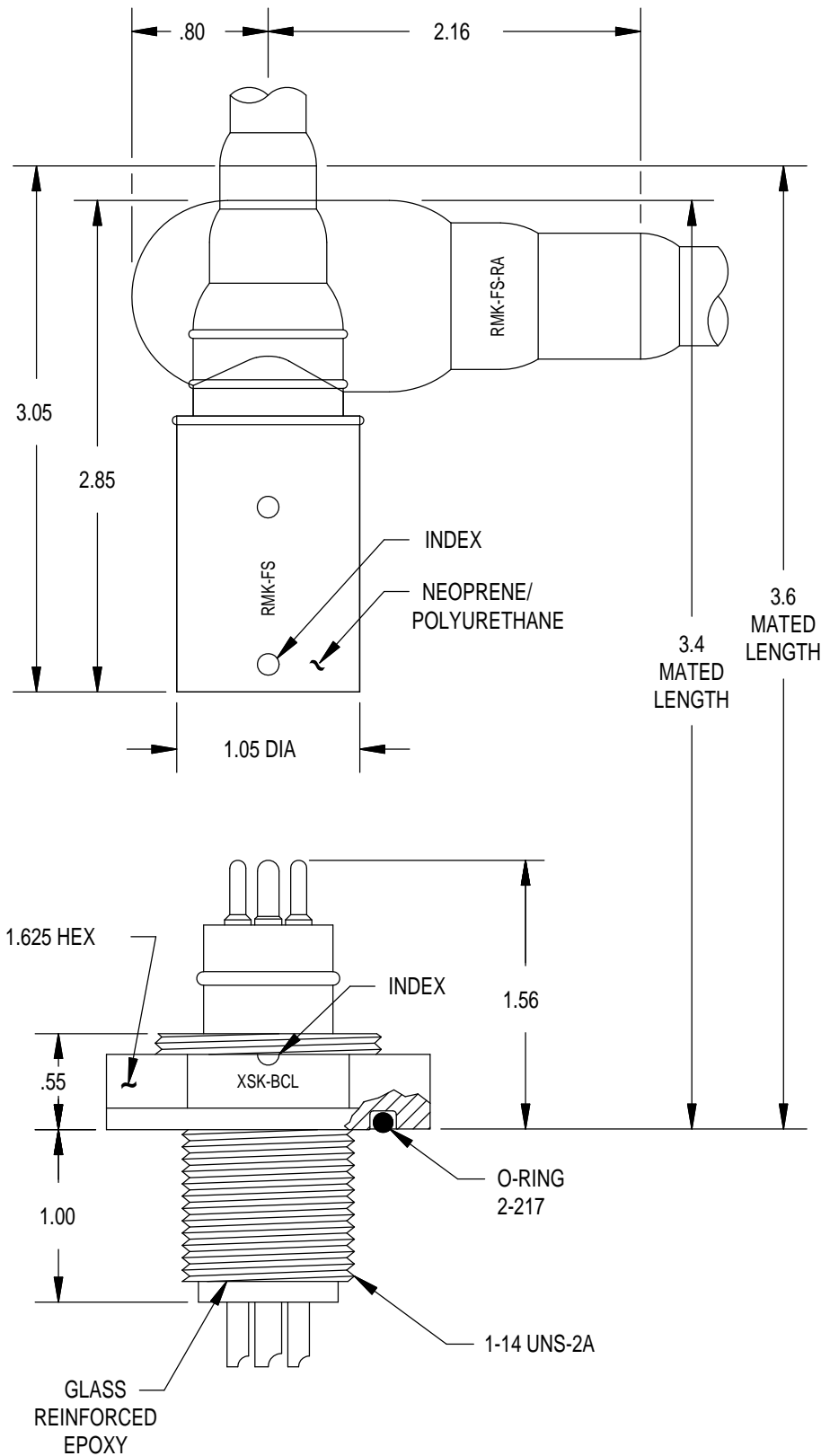




**CONTACT  
CONFIGURATION**  
(BCL FACE VIEWS)

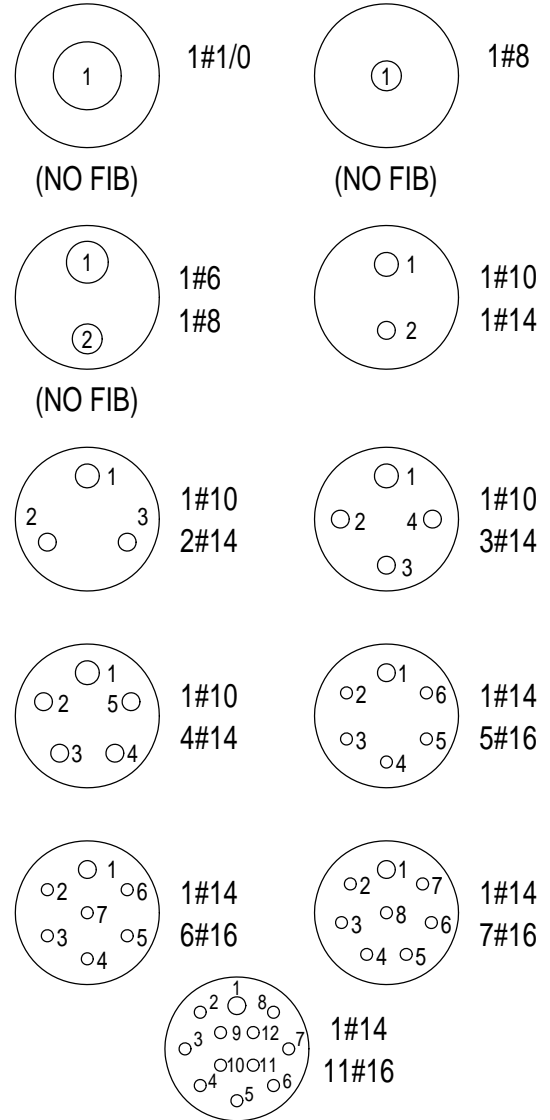
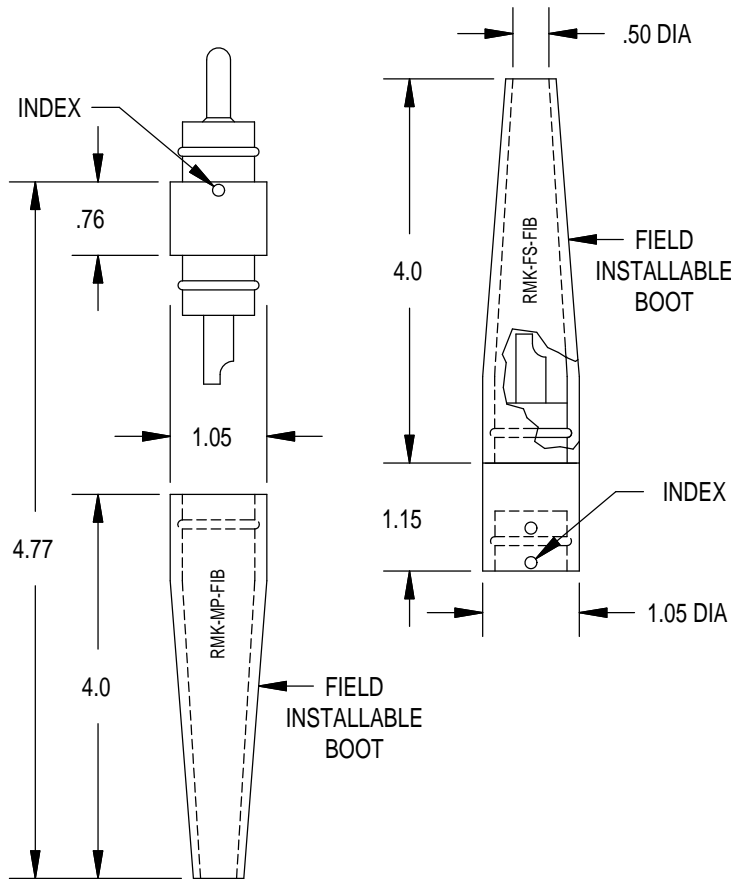


MOUNTING TORQUE FOR LSG-BCL/BC	not to exceed 18 in lbs	MATED PRESSURE RATING (psi) FOR LSG-BCL/BC	3,000
MOUNTING TORQUE FOR LSG-BC-HP	not to exceed 18 in lbs	MATED PRESSURE RATING (psi) FOR LSG-BC-HP	10,000
DUMMY PLUG FOR LSG-BCL/BC/BC-HP, LMG-MP		DUMMY PLUG FOR LMG-FS	
LMG-*-FSD	LOW PRESSURE < 4,000 psi		LMG-*-MPD-LP
	HIGH PRESSURE > 4,000 psi		LMG-*-MPD-HP
NOTE: Locking sleeves available in plastic or stainless steel, see Technical Bulletin 20 40. * Please specify number of contacts (3 or 4).			
** LSG-6 CONNECTORS MATE TO RMG-6-FS. See Technical Bulletin 20 20.			



FIELD INSTALLABLE

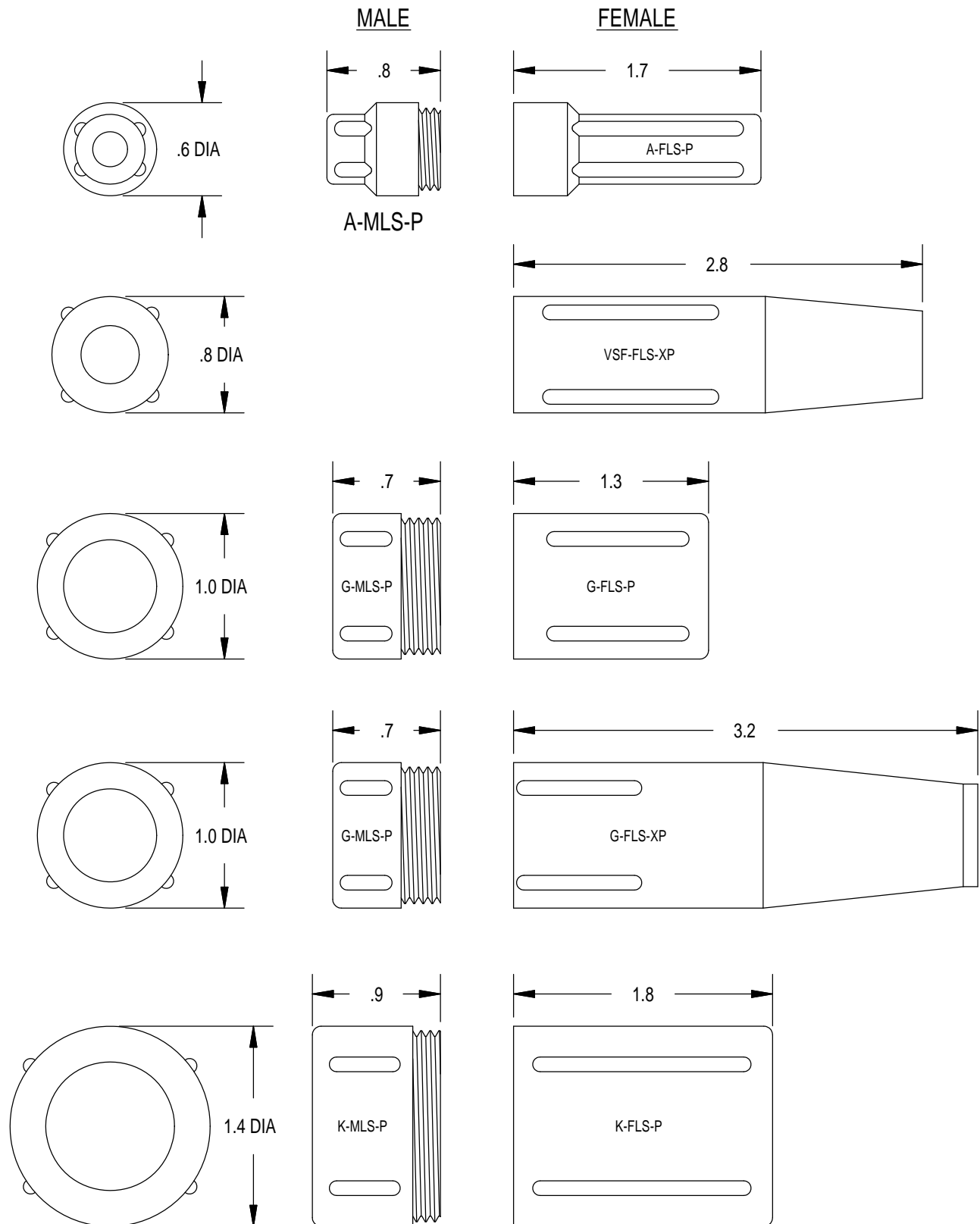
CONTACT CONFIGURATION  
(BCL FACE VIEWS)



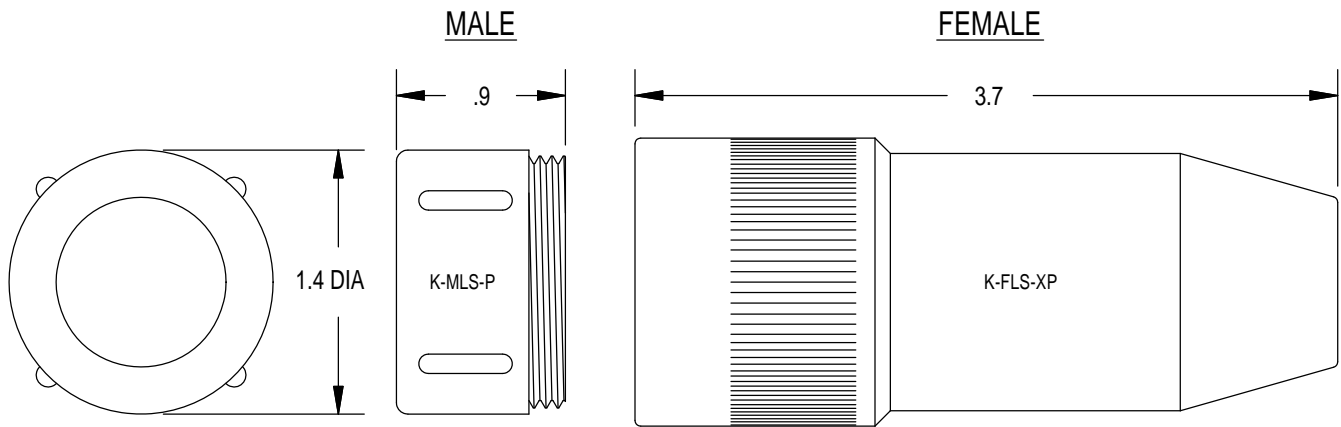
MOUNTING TORQUE FOR XSK-BCL	not to exceed 130 in lbs	MATED PRESSURE RATING (psi) FOR XSK-BCL	10,000
DUMMY PLUG FOR XSK-BCL, RMK-MP		DUMMY PLUG FOR RMK-FS	
RMK*-FSD	LOW PRESSURE < 4,000 psi	RMK-MPD-LP	
	HIGH PRESSURE > 4,000 psi	RMK*-MPD-HP	
NOTE: Locking sleeves available in plastic or stainless steel, see Technical Bulletin 20 40. * Please specify number of contacts.			

# LOCKING SLEEVES

## PLASTIC LOCKING SLEEVES



# LOCKING SLEEVES



NOTE: XP is recommended to reduce conductor to contact fatigue.

## STAINLESS STEEL LOCKING SLEEVES

